

---

# Laptop Storage Cart

## Owners Manual

---

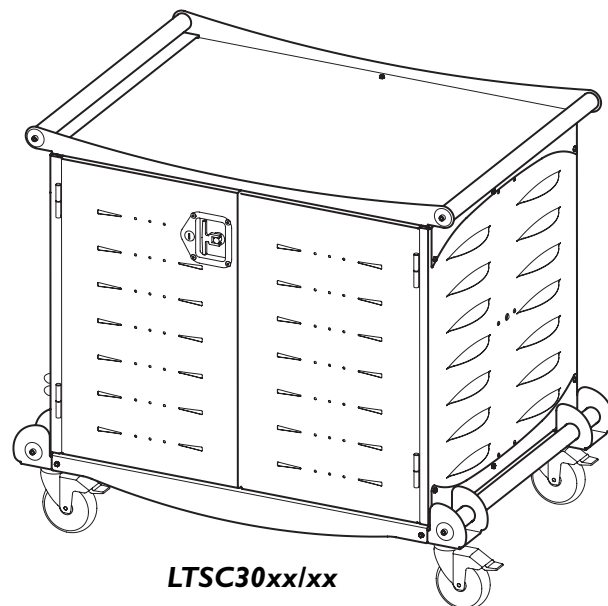
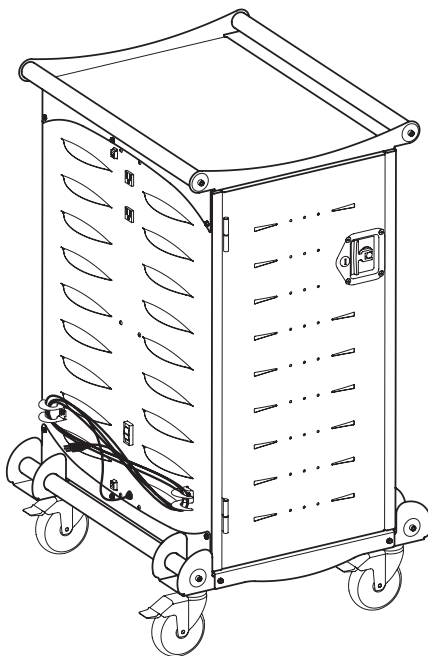


***Hello! Thank you for choosing Anthro.***

This unit has been tested to Underwriters Laboratories U.S. and Canadian (Bi-National) Standard for Safety of Informational Technology Equipment, Including Electrical Business Equipment, CAN/CSA C22.2 No. 950-95 \* UL 1950, Third Edition, including revisions through revision date March 1, 1998, which are based on the Fourth Amendment to IEC 950, Second Edition.

**This owners manual contains a list of items that we would like you to be aware of to promote safety in the use of our product in your work place and/or learning environment.**

**LTSC20xx/xx**



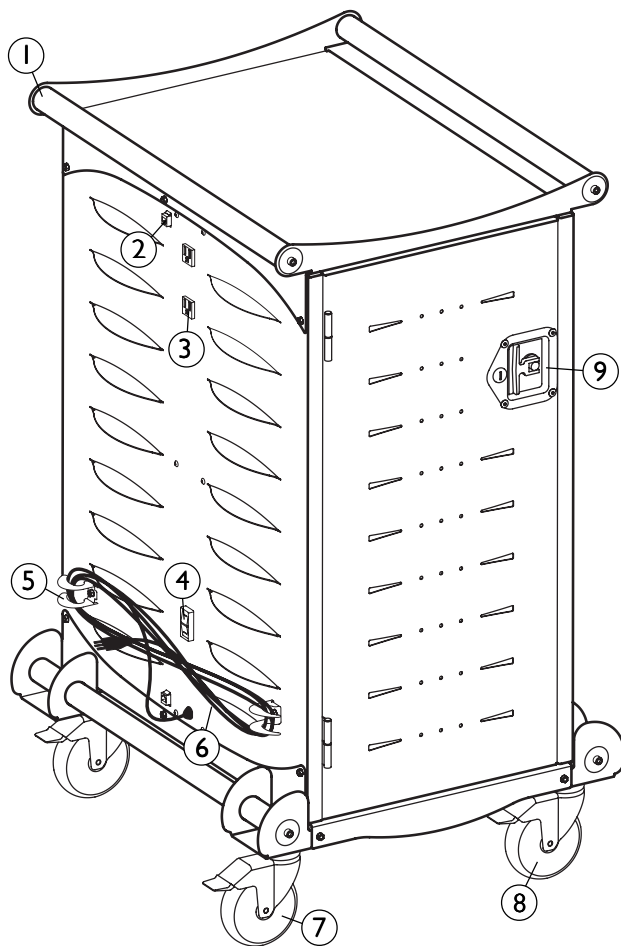
**LTSC30xx/xx**

## **Before Using**

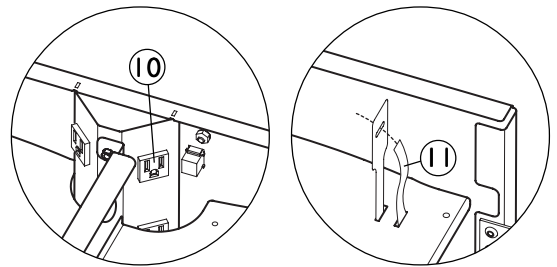
Please read these operating instructions carefully. It contains important advice concerning the use, and safety of your Anthro Laptop Storage Cart. Keep these operating instructions in a safe place and pass them on to any subsequent user. This storage cart must only be used for its intended purpose in accordance with these operating instructions.

***Please pay attention to the safeguards.***

# Anthro Laptop Storage Cart Owners Manual



## DETAIL VIEW OF INTERNAL POWER RECEPTACLES & CABLE TIES



## Components at a Glance

- 1 – Handles
- 2 – Network Connections
- 3 – External Power Receptacles
- 4 – Control Switch
- 5 – Cord Wrap Claws
- 6 – Power Cord
- 7 – Total Lock Casters (*black tab*)
- 8 – Directional Lock Casters (*green or gray tab*)
- 9 – Two Point Locking Door Latch
- 10 – Internal Power Receptacles
- 11 – Cable Ties & Slots for Wire Management

## Important Safeguards

*When using electrical devices, basic safety precautions should always be followed.*  
**READ ALL INSTRUCTIONS:**

- The Control Switch must be in the OFF position before plugging the cart into a wall outlet.
- This Storage Cart must only be connected to a 120 volt a.c. 15 or 20 amp power supply.
- Electrical devices are not toys. Children are often unaware of the hazards associated with electrical devices and the storage cabinet must therefore always be used by adults or with adult supervision.
- The unit is not designed for outdoor use.
- Liquids should not be stored in, set on or placed inside this unit.
- Never unplug this product from the outlet when your hands are wet or by pulling the power cord.  
Never pull the storage cabinet by the power cord.
- Do not pull or jam the power cord against sharp edges. Do not leave the power cord hanging and do not crush or drag the power cord while transporting the storage cart.
- Do not use an extension cord in conjunction with this product.
- Do not plug the unit in if the switch, receptacle(s) or power cord has been damaged. All electrical components on this product must be repaired by a qualified electrician.
- Inadequate repair can create significant hazards to users and is not covered by the warranty.
- **Anthro cannot accept any liability for damage if the Storage Cart is misused, incorrectly operated or inadequately repaired. Under these circumstances the warranty will be void.**

## Product Specifications

The Carts are designed to securely store, transport and charge laptop computers. The LTSC20 has 20 separate storage bays with a 120 V receptacle in each bay. The maximum electrical output for each Cart is rated at 12amps.

The LTSC30 has 30 separate storage bays with a 120 V receptacle in each bay. The maximum electrical output for each Cart is rated at 12amps.

---

## Before You Use the Storage Cart

- For your safety it is recommended that a qualified electrician test the circuit you will be plugging the unit into. The circuit should be checked for ground integrity and appropriate branch circuit protection.
  - The units ground prong must be present for safe operation. If the plug is damaged or if the ground prong has been removed it should be replaced by a qualified electrician.
  - The Storage Cart should only be used for the storage, transport and charging of laptop computers.
  - The use of the Cart including: plugging or unplugging laptop computers, plugging or unplugging the Storage Cart, operating the control switch, engaging or releasing the directional and total lock casters must be done with adult supervision. The Cart can be very heavy when fully loaded with laptop computers and should be moved about by persons physically able to do so.
  - The cable ties provided in the kit allow you to attach the charging cords to the shelves where the two rectangular cut outs are provided. *The use of the cable tie is optional.*
- 

## Loading Your Laptops into the Cart

1. Open a Door by pulling the T-handle out from the recessed area. Turn it clockwise 90 degrees and open.
  2. Plug in the 12' power cord for the cart into a suitable receptacle.
  3. Locate the external control switch near the bottom of the unit on the outside. Push the switch to the middle position. When in the middle position, power is cut off from both internal and external receptacles. To eliminate any arcing, the switch should be in the off position when laptop charging units are being plugged in or removed from the storage bays and prior to plugging the storage cart into a wall receptacle.
  4. Load one laptop into each storage bay. Make sure the external control switch is in the middle off position and then plug them into the 120V receptacle in each bay. Repeat the loading on other side of the cart if necessary.
- 

## To Charge Your Laptops

1. Locate the external control switch near the bottom of the unit.
  2. Push the switch into the down position. You will feel a positive engagement of the switch indicating power is being supplied to the internal receptacles and charging can occur. In this position the external receptacles are disabled.
- 

## To Use the Outside Electrical Receptacles for a Lecture Station

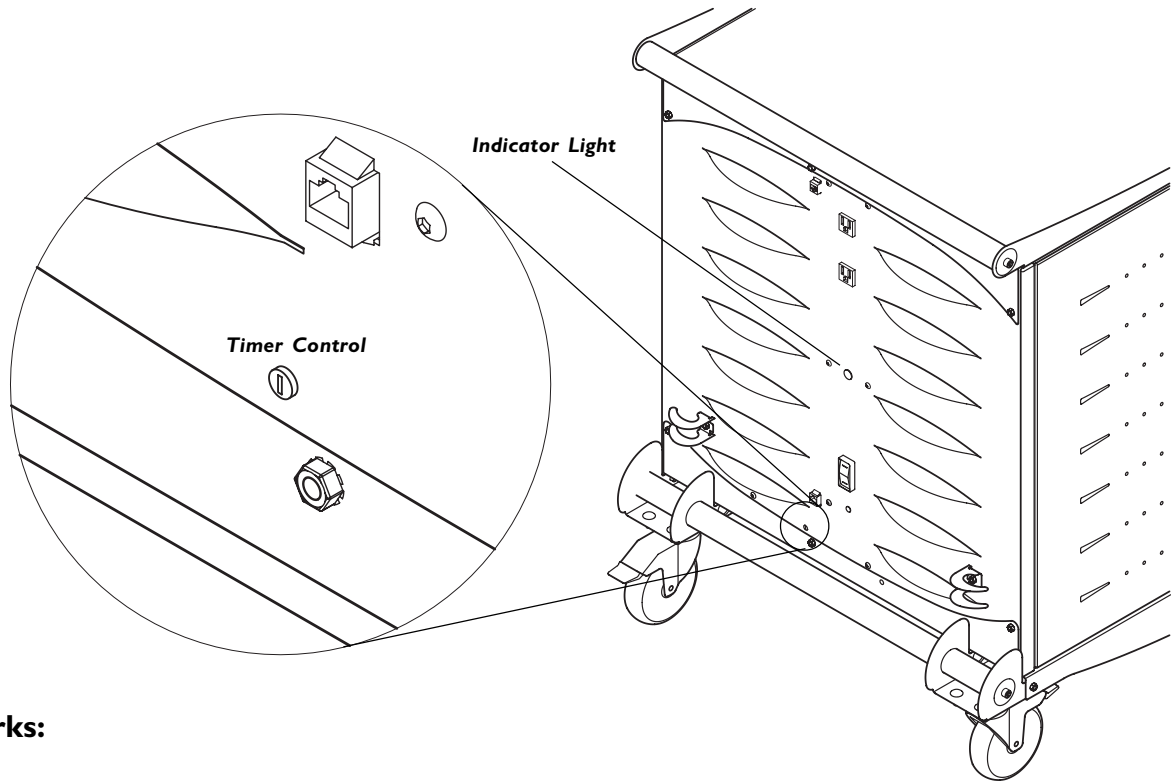
The storage cart can be used as a lecture station and has two 120V convenience outlets located on the outside of the unit. The maximum electrical output for the combined external receptacles is 12 A.

1. Push the external control switch to the up position. You will feel a positive engagement of the switch indicating power to the external receptacles. In this position the internal receptacles are disabled and no charging to stored computers can occur.
  2. Plug in your other hardware such as printers and overhead projectors to use the Cart as a lecture station.
-

# Anthro Laptop Storage Cart Owners Manual

## Overload Protection (30 Unit Model)

Charging 30 laptop computers at one time combined with the power demands of existing laptop battery technology can overload a typical 15 amp circuit. Anthro's 30 Unit Laptop Storage Cart is uniquely equipped with a built-in timing device that automatically switches the AC power supply from one side of the Cart to the other.



### How It Works:

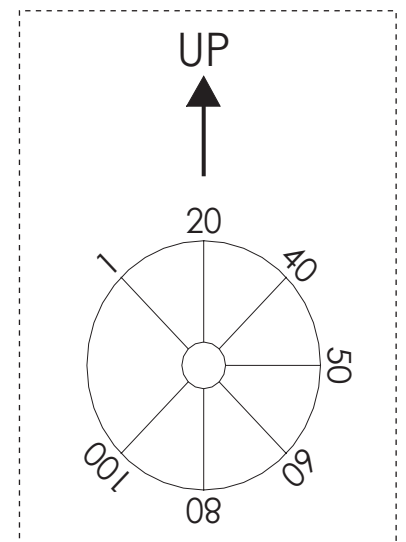
When the Cart's external control switch (see diagram above), is set to charge the laptops inside the Cart, the timing device will charge one half of the Cart (up to 15 laptops) for 25 minutes. During that time the laptops in the other half of the Cart will stand idle. When the 25 minute cycle finishes, the timer switches the AC power supply to the other 15 laptop computers for another 25 minutes. The pendulum cycle repeats itself continuously until the control switch is changed. An Indicator Light on each Side Panel indicates which side is being charged.

For convenience, the timer is factory set on a 25 minute cycle to provide the longest possible charging time to both sides of the Cart within a 50 minute lunch period. Fully depleted batteries will require more than one cycle to fully charge.

### Adjusting The Timer:

*You will need a flat head screwdriver no wider than 1/8" to make this adjustment.*

The 25 minute cycle should be optimum for most applications and we don't recommend adjustment. If adjustment is required, it can be done by a qualified maintenance person following the provided instructions. The timer range is from 1 to 100 minutes.



Timer Scale

- 1) Set the control switch to the “off” position and unplug the storage cart.
- 2) Locate the timer found just to the left of the power cord. It will appear to be a flat head screw set flush inside the Cart.
- 3) Cut out and tape the supplied scale (Shown on page. 3) over the timer screw with the arrow pointing up towards the top of the cart.
- 4) Using a flat head screwdriver, adjust the timer to the desired time interval.

The Carts are designed to securely store, transport and charge laptop computers. The LTSC20 has 20 separate storage bays with a 120 V receptacle in each bay. The maximum electrical output for each receptacle is rated at 600mA.

The LTSC30 has 30 separate storage bays with a 120 V receptacle in each bay. The maximum electrical output for each receptacle is rated at 400mA.

---

## To Hook Up Your Cart to a Local Area Network

- The Storage Cart comes equipped with a data port pass through located near the top and bottom of the unit. The data ports are for network use only. The network receptacles allow the connection of a local area network (LAN) to the base of the Storage Cart and the connection of a wireless networking hub near the top of the Storage Cart.
- 

## Moving Your Cart

1. Your Cart comes equipped with two directional casters (*they have a green tab*) and two locking casters (*they have a black tab*). To successfully steer your Cart, make sure the black tabs on the locking casters are in an upright unlocked position. Push the green tabs on the directional casters to the down position.
  2. Make sure the T-handle is recessed so it does not stick out or catch on door frames and corners.
  3. When you reach your desired location, push all the tabs on the Casters to the down locked position.
- 

## Lock Your Cart

Your Cart comes equipped with a two point keyed locking system on the Doors and two Keys (*one is a duplicate*).

1. Shut the Door and turn the T-Handle 90 degrees.
  2. Recess the T-Handle.
  3. Insert one of the Keys and turn 180 degrees counter clockwise.
  4. Repeat for other Door if necessary.
-

## Trouble Shooting Questions

- **How do I know if my computers will draw more than the allowed current?**  
Our testing indicated it won't but you can contact the computer manufacturer if you have concerns or have a licensed electrician measure the current draw.
- **The unit sparks when I plug it into the wall. Is it defective?**  
No, you need to make sure the control switch is in the off position prior to plugging it in.
- **The 30 unit Cart appears to have room for 32 computers. Can I add two more computers?**  
No, if you look closely at the bottom storage bays you will see a cord coming out of one side plugged into a receptacle on the other side. You could store two additional computers there but they can't be plugged in for charging.
- **What are the data ports used for?**  
If you use a wireless network hub like an airport you can set the hub on the top of the Cart and connect your local area network (LAN) cable to the RJ45 jack at the bottom of the cart and connect the wireless hub to the port located at the top of the cart.
- **Someone tried to break into the cart and damaged a door can it be replaced?**  
Yes, just identify the model number and indicate the door by which side the hinges are mounted as you face the door when you Call Anthro at 1-800-325-3841.
- **My cord is damaged. Is it covered under warranty?**  
No, because we cannot prevent abuse of the cord it is not covered under warranty. If the plug is damaged you can have a qualified electrician replace it. If the damage is too far up the length of the cord we can replace the whole panel at the cost of the replacement part.
- **My computers didn't charge overnight what is wrong?**  
Make sure the Cart is plugged in. Make sure the control switch is pushed to the lower position marked "Internal Power On".
- **When I plug in the Cart it trips the circuit breaker. what is wrong?**  
The Cart is designed to run on a 15 amp circuit. If you have other equipment or appliances plugged into the same circuit you may be overloading it. Have a qualified electrician check the circuit to make sure there is adequate power available.
- **My Cart was damaged during shipment what should I do?**  
Anthro has a program established with the freight companies to handle these problems. Please contact Anthro at 800.325.3841 and we'll work with you to find a solution.
- **How do I know which side is being charged?**  
One of the indicator lights on each side panel will light up on the side that is being charged.
- **How do I know if both sides of the Cart are working correctly?**  
Watch the indicator lights on both side panels to see if they light up after a charging cycle.
- **How do I find the cart's serial number?**  
Position the cart so you're standing in front of the doors and the power cord is on the right. Open the door(s). The serial number label is located on the base shelf in front of you.

# Anthro Corporation Limited Warranty

## What Does This Warranty Cover?

This warranty covers any defects in material or workmanship in this Laptop Storage Cart.

## Who is Covered By This Warranty?

This warranty extends to the original consumer of the product only.

## How Long Does This Warranty Last?

The warranty lasts for one year from date of purchase for the electrical components (excluding the power cord) and lifetime from date of purchase for the cabinet

## What Will Anthro Do?

Anthro will replace the product with a new or refurbished product, repair the product, send replacement parts, or refund the purchase price you paid for the product, at Anthro's choice.

## What Is Not Covered By This Warranty?

This warranty does not cover the power cord. This warranty does not cover product that has been damaged by accident, unreasonable use, neglect, tampering or other causes not arising from defects in material or workmanship.

ANY IMPLIED WARRANTIES LAST ONLY AS LONG AS THE WARRANTY PERIODS LISTED ABOVE. This includes but is not limited to the implied warranties of merchantability and fitness. Some states do not allow limitations on how long an implied warranty lasts, so this limitation may not apply to you.

ANTHRO'S RESPONSIBILITY IS LIMITED TO THE ACTIONS LISTED UNDER "What will Anthro Do?" AS LISTED ABOVE AND NOTHING ELSE.

This warranty does not cover; and Anthro will not be responsible for, any damages you may have due to loss of use of the product, or any other costs or expenses incurred by you or anyone else who uses the product, whether due to defects, breach of contract, negligence, strict liability or otherwise. ANTHRO IS NOT LIABLE FOR ANY INDIRECT, SPECIAL, INCIDENTAL OR CONSEQUENTIAL DAMAGES RELATED TO THE PRODUCT OR THIS WARRANTY. Some states do not allow the exclusion or limitations or consequential or incidental damages, so these limitations or exclusions may not apply to you.

## How Do I Get Service?

Call Anthro at 1-800-325-3841.

## How Does State Law Apply To This Warranty?

This warranty gives you specific legal rights and you may also have other rights that vary from state to state. This warranty is governed by the laws of Oregon, excluding its conflict of laws principles, unless your state requires that its law be used.

**PLEASE FILL OUT AND MAIL IN THE ENCLOSED  
REGISTRATION CARD TO ACTIVATE YOUR WARRANTY**

---

## **Thank you for buying our Products!**

Please return the enclosed Registration Card to receive our product updates, new catalogs, and sale flyers.



*Anthro® Corporation  
Technology Furniture®  
10450 SW Manhasset Drive  
Tualatin, Oregon 97062  
anthro.com*

---

**Questions?**



300-5229-00

**1-800-325-3841**